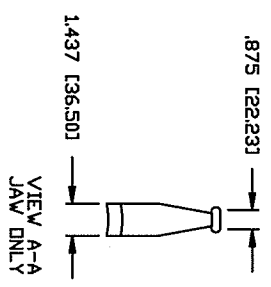
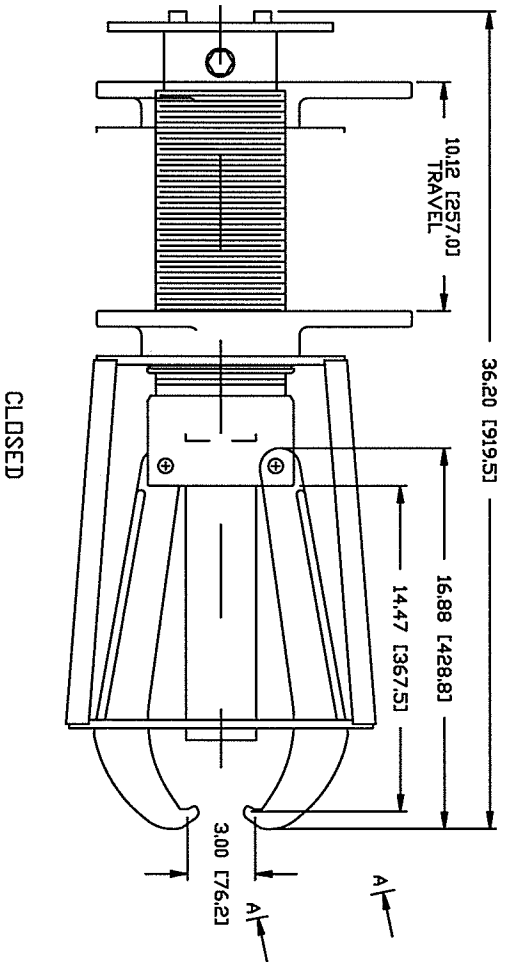
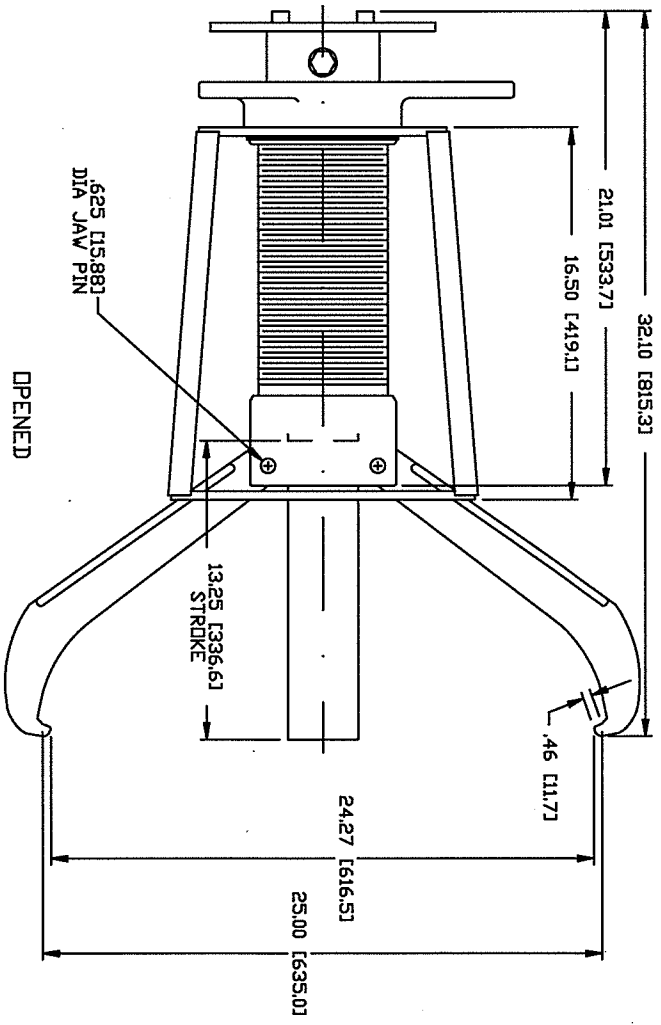
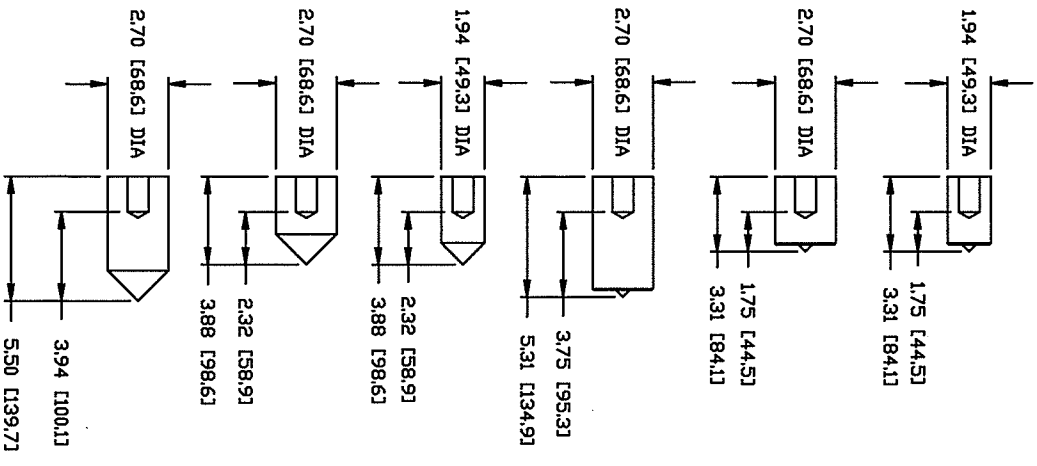
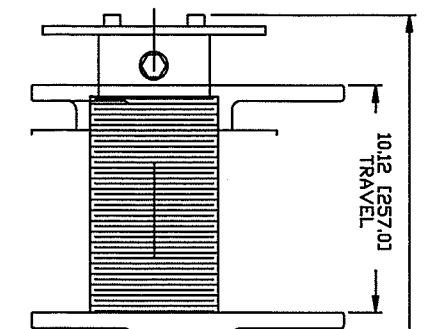
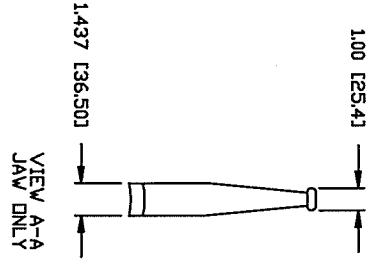


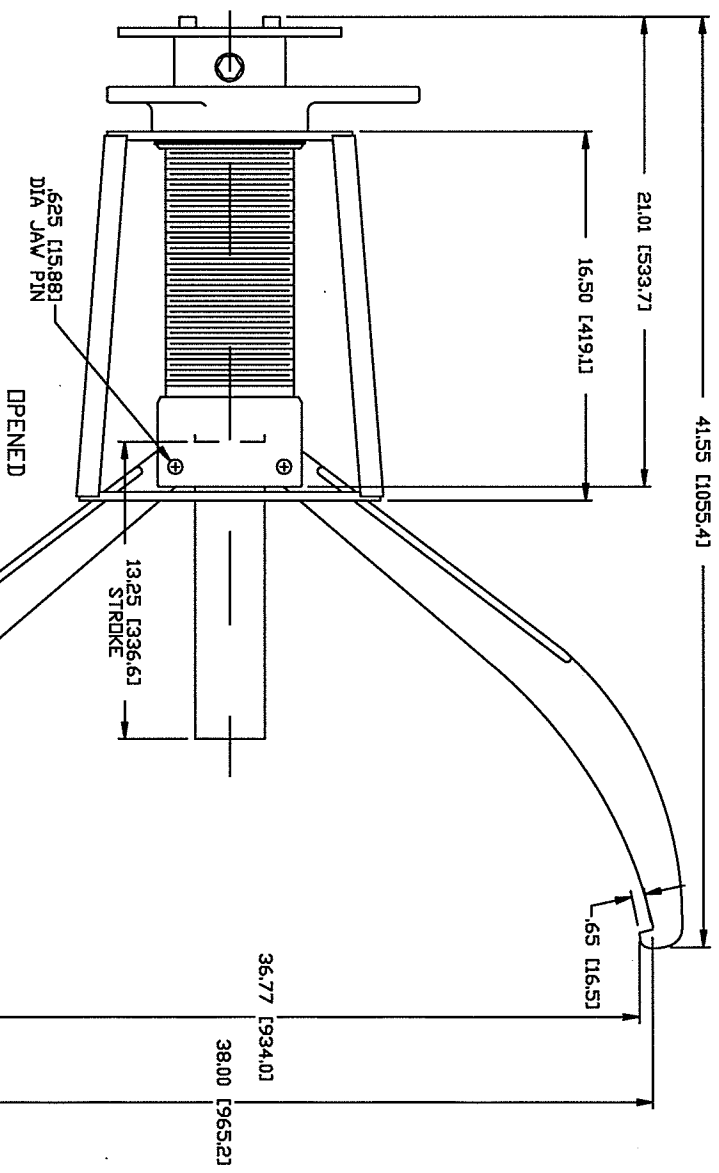
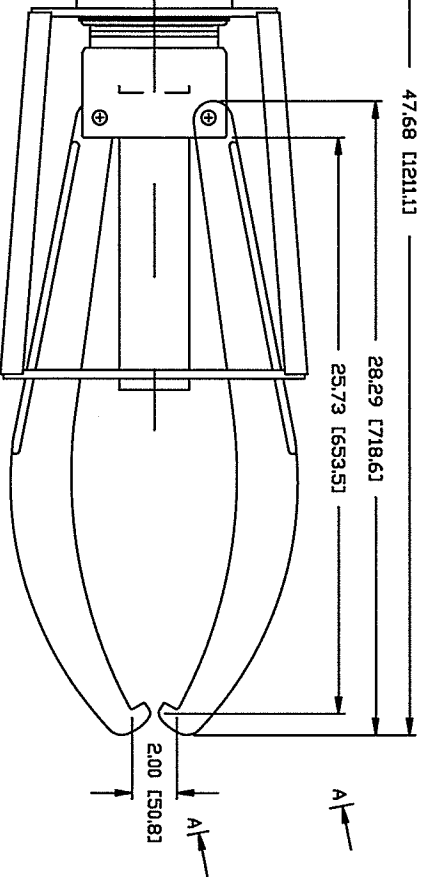
RAM POINT SET



ITEM NO	QTY	PART NO.	DESCRIPTION	NOTES
1	1	PH119/PH216	RAM POINT SET	
PDSI LOCK PULLERS, INC. 1000 W. 10TH ST. SUITE 100 DENVER, CO 80202 TEL: 303.733.1111 FAX: 303.733.1112 WWW.PDSI.COM				
PART NAME: PH119/PH216 PART NO: 801935 REV: E OF E D				



CLOSED

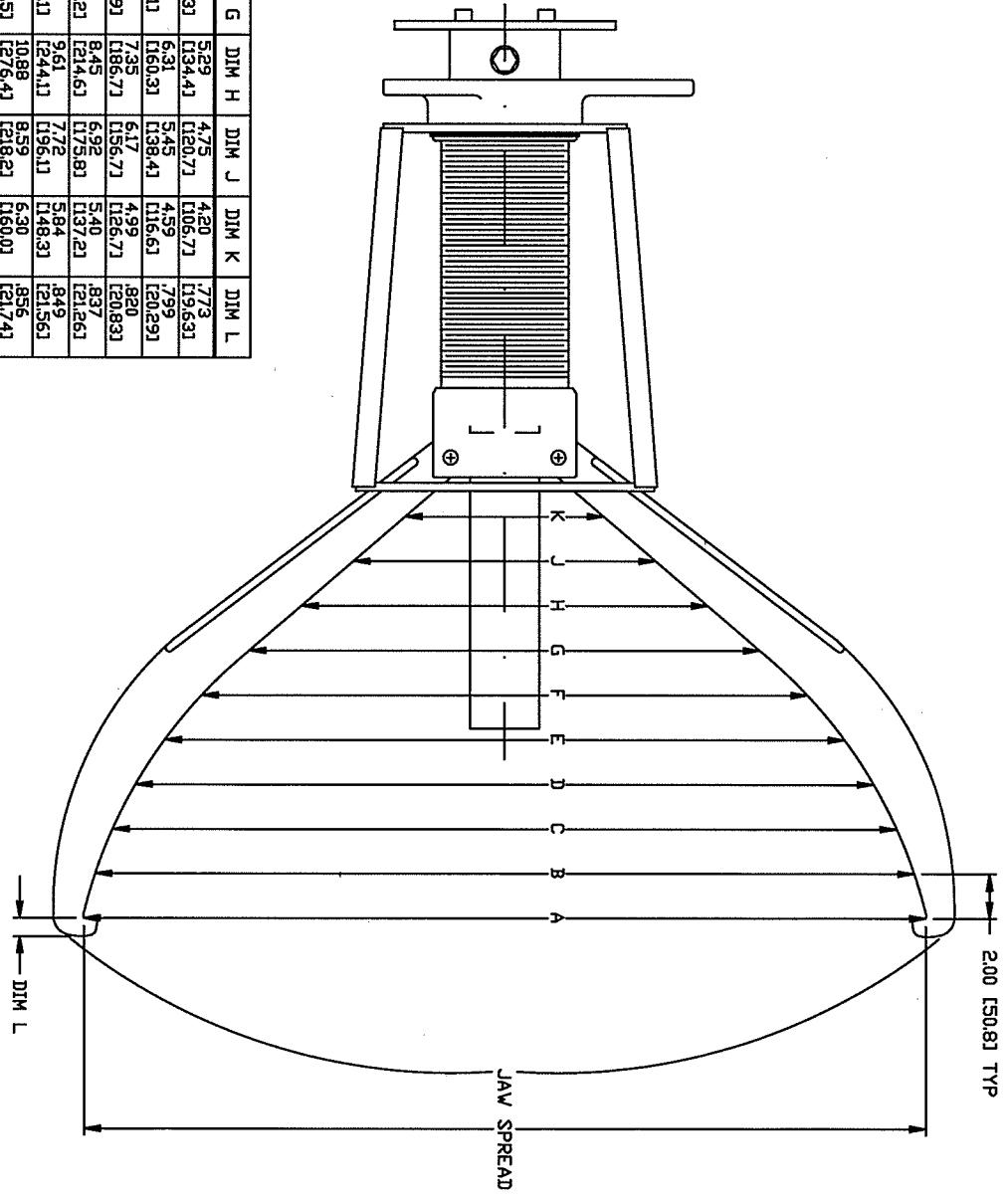


REV	DATE	BY	CHKD	DESCRIPTION
1				INITIALS
2				REVISIONS
3				REVISIONS
4				REVISIONS
5				REVISIONS
6				REVISIONS
7				REVISIONS
8				REVISIONS
9				REVISIONS
10				REVISIONS
11				REVISIONS
12				REVISIONS
13				REVISIONS
14				REVISIONS
15				REVISIONS
16				REVISIONS
17				REVISIONS
18				REVISIONS
19				REVISIONS
20				REVISIONS
21				REVISIONS
22				REVISIONS
23				REVISIONS
24				REVISIONS
25				REVISIONS
26				REVISIONS
27				REVISIONS
28				REVISIONS
29				REVISIONS
30				REVISIONS
31				REVISIONS
32				REVISIONS
33				REVISIONS
34				REVISIONS
35				REVISIONS
36				REVISIONS
37				REVISIONS
38				REVISIONS
39				REVISIONS
40				REVISIONS
41				REVISIONS
42				REVISIONS
43				REVISIONS
44				REVISIONS
45				REVISIONS
46				REVISIONS
47				REVISIONS
48				REVISIONS
49				REVISIONS
50				REVISIONS
51				REVISIONS
52				REVISIONS
53				REVISIONS
54				REVISIONS
55				REVISIONS
56				REVISIONS
57				REVISIONS
58				REVISIONS
59				REVISIONS
60				REVISIONS
61				REVISIONS
62				REVISIONS
63				REVISIONS
64				REVISIONS
65				REVISIONS
66				REVISIONS
67				REVISIONS
68				REVISIONS
69				REVISIONS
70				REVISIONS
71				REVISIONS
72				REVISIONS
73				REVISIONS
74				REVISIONS
75				REVISIONS
76				REVISIONS
77				REVISIONS
78				REVISIONS
79				REVISIONS
80				REVISIONS
81				REVISIONS
82				REVISIONS
83				REVISIONS
84				REVISIONS
85				REVISIONS
86				REVISIONS
87				REVISIONS
88				REVISIONS
89				REVISIONS
90				REVISIONS
91				REVISIONS
92				REVISIONS
93				REVISIONS
94				REVISIONS
95				REVISIONS
96				REVISIONS
97				REVISIONS
98				REVISIONS
99				REVISIONS
100				REVISIONS

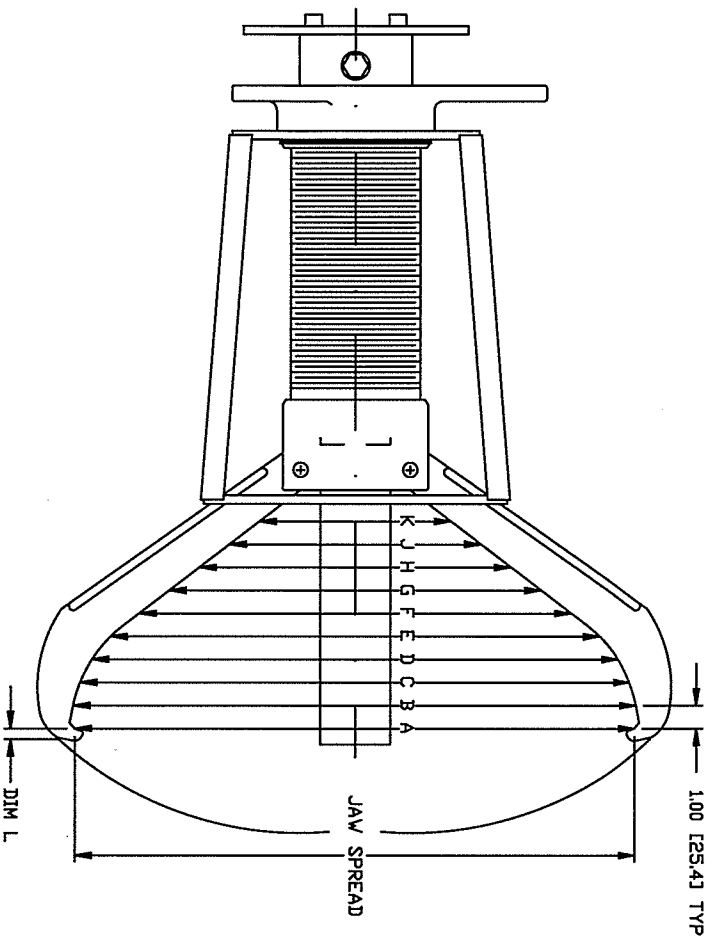
# POST LOCK MODELS PH116/PH216 LONG JAWS GEAR AND BEARING PULLER

<b>MODEL PH116</b> 50 TON [45.6 METRIC TONS] 3 JAW RAM STROKE 13.25 [336.6] REACH 25.0 [635.0] SPREAD 2.0 [50.8] TD 38.0 [965.2] WT. 230 Lbs. [104.3 kg] RATED FOR 10000 PSI	<b>MODEL PH216</b> 50 TON [45.6 METRIC TONS] 2 JAW RAM STROKE 13.25 [336.6] REACH 25.0 [635.0] SPREAD 2.0 [50.8] TD 38.0 [965.2] WT. 211 Lbs. 95.7 kg RATED FOR 10000 PSI
---	--

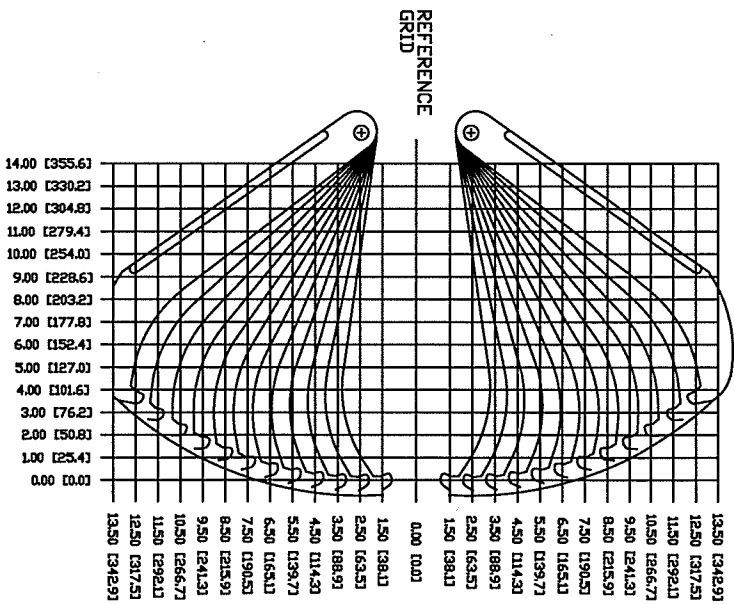
JAW SPREAD	DIM A	DIM B	DIM C	DIM D	DIM E	DIM F	DIM G	DIM H	DIM J	DIM K	DIM L
2.00 [50.8]	6.42 [163.1]	7.10 [180.3]	7.41 [188.2]	7.35 [186.7]	6.93 [176.0]	6.39 [162.3]	5.84 [148.3]	5.29 [134.4]	4.75 [120.7]	4.20 [106.7]	3.73 [94.8]
6.00 [152.4]	9.50 [241.3]	9.90 [251.5]	9.93 [252.2]	9.59 [243.6]	8.89 [225.8]	8.03 [204.0]	7.17 [182.1]	6.31 [160.3]	5.45 [138.4]	4.59 [116.6]	3.79 [96.2]
10.00 [254.0]	12.58 [319.5]	12.71 [322.8]	12.48 [317.0]	11.88 [301.8]	10.90 [276.9]	9.72 [246.9]	8.54 [216.9]	7.35 [186.7]	6.17 [156.7]	4.99 [126.7]	3.80 [96.5]
14.00 [355.6]	15.69 [398.5]	15.59 [396.0]	15.12 [384.0]	14.26 [362.2]	13.01 [330.5]	11.49 [291.8]	9.97 [253.2]	8.45 [214.6]	6.92 [175.8]	5.40 [137.2]	3.97 [100.8]
18.00 [457.2]	18.90 [480.1]	18.57 [471.7]	17.86 [453.6]	16.77 [426.0]	15.25 [387.4]	13.38 [339.9]	11.50 [292.1]	9.61 [244.1]	7.72 [196.1]	5.84 [148.3]	3.84 [97.5]
22.00 [558.8]	22.23 [564.6]	21.70 [551.2]	20.78 [527.8]	19.45 [494.0]	17.68 [449.1]	15.45 [392.7]	13.17 [334.5]	10.88 [276.4]	8.59 [218.2]	6.30 [160.0]	3.85 [97.8]
26.00 [660.4]	25.75 [654.1]	25.08 [635.8]	23.91 [607.3]	22.37 [568.2]	20.34 [518.6]	17.78 [451.6]	15.04 [382.0]	12.30 [312.4]	9.56 [242.8]	6.82 [173.2]	3.98 [101.1]
30.00 [762.0]	29.52 [749.8]	28.63 [727.2]	27.33 [694.2]	25.58 [649.7]	23.33 [592.6]	20.47 [519.9]	17.20 [436.9]	13.94 [354.1]	10.67 [271.0]	7.40 [188.0]	3.84 [97.5]
34.00 [863.6]	33.61 [853.7]	32.57 [827.3]	31.12 [790.4]	29.20 [741.7]	26.74 [679.2]	23.61 [599.7]	19.80 [502.9]	15.90 [403.9]	11.99 [304.5]	8.09 [205.5]	3.84 [97.5]
38.00 [965.2]	38.00 [965.2]	36.97 [939.0]	35.39 [896.9]	33.32 [846.3]	30.59 [779.5]	27.35 [694.7]	23.07 [586.0]	18.36 [466.3]	13.65 [347.0]	8.95 [227.3]	3.84 [97.5]



TITLE: POST LOCK PULLER, INC. PART NO.: PH116/PH216 REV: 1/83	DRAWN BY: [Signature] CHECKED BY: [Signature]	DATE: 11/78 SCALE: AS SHOWN	MATERIAL: [Blank] FINISH: [Blank]
---	--	--------------------------------	--------------------------------------



JAW SPREAD	DIM A	DIM B	DIM C	DIM D	DIM E	DIM F	DIM G	DIM H	DIM J	DIM K	DIM L
3.00 [76.2]	6.57 [166.9]	6.44 [163.6]	6.15 [156.2]	5.86 [148.8]	5.26 [134.1]	5.27 [133.9]	4.98 [126.5]	4.68 [118.9]	4.39 [111.5]	4.10 [104.1]	3.98 [101.1]
5.00 [127.0]	8.08 [205.2]	7.84 [199.1]	7.41 [188.2]	6.98 [177.3]	6.55 [166.4]	6.12 [155.4]	5.68 [144.3]	5.25 [133.4]	4.82 [122.4]	4.39 [111.5]	4.02 [102.9]
7.00 [177.8]	9.61 [244.1]	9.28 [235.7]	8.71 [221.2]	8.13 [206.5]	7.56 [192.0]	6.98 [177.3]	6.41 [162.8]	5.83 [148.1]	5.26 [133.4]	4.68 [118.9]	4.03 [103.2]
9.00 [228.6]	11.16 [283.5]	10.75 [273.1]	10.05 [255.3]	9.32 [236.7]	8.60 [218.4]	7.88 [200.2]	7.15 [181.6]	6.43 [163.3]	5.71 [145.0]	4.99 [126.7]	4.02 [102.9]
11.00 [279.4]	12.75 [323.9]	12.28 [311.9]	11.46 [291.1]	10.58 [268.7]	9.70 [246.4]	8.82 [224.0]	7.94 [201.7]	7.06 [179.3]	6.18 [157.0]	5.30 [134.6]	4.39 [111.5]
13.00 [330.2]	14.39 [365.5]	13.88 [352.6]	12.97 [329.4]	11.92 [302.8]	10.87 [276.1]	9.82 [249.4]	8.77 [222.8]	7.72 [196.4]	6.67 [169.4]	5.62 [142.7]	4.59 [116.1]
15.00 [381.0]	16.08 [408.4]	15.56 [395.2]	14.52 [371.3]	13.38 [339.9]	12.15 [308.6]	10.91 [277.1]	9.68 [245.9]	8.44 [214.4]	7.21 [183.1]	5.97 [151.1]	4.76 [120.8]
17.00 [431.8]	17.85 [453.4]	17.33 [440.2]	16.39 [416.3]	15.01 [381.3]	13.57 [344.7]	12.12 [307.8]	10.68 [271.3]	9.24 [234.7]	7.80 [199.1]	6.36 [161.5]	5.07 [128.8]
19.00 [482.6]	19.68 [499.9]	19.19 [487.4]	18.29 [463.6]	16.85 [428.0]	15.18 [386.6]	13.50 [342.9]	11.82 [300.2]	10.14 [257.6]	8.46 [214.9]	6.78 [172.2]	5.32 [135.1]
21.00 [533.4]	21.58 [548.1]	21.15 [537.2]	20.32 [515.1]	18.97 [481.8]	17.06 [433.3]	15.10 [388.5]	13.15 [334.0]	11.19 [284.2]	9.23 [234.4]	7.28 [184.9]	5.32 [135.1]
23.00 [584.2]	23.57 [598.7]	23.21 [589.5]	22.47 [570.7]	21.26 [540.0]	19.35 [491.5]	17.05 [433.1]	14.76 [374.9]	12.46 [316.5]	10.16 [258.1]	7.86 [199.6]	5.07 [128.8]
25.00 [635.0]	25.00 [635.0]	25.13 [638.3]	24.51 [622.6]	23.45 [593.6]	21.78 [553.2]	19.24 [488.7]	16.56 [420.6]	13.98 [352.6]	11.20 [284.5]	8.51 [216.2]	4.81 [122.2]

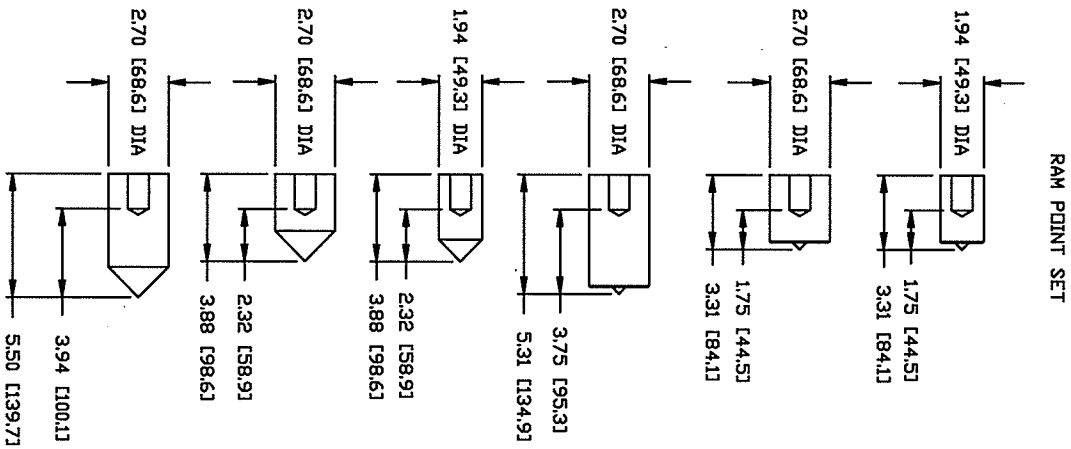
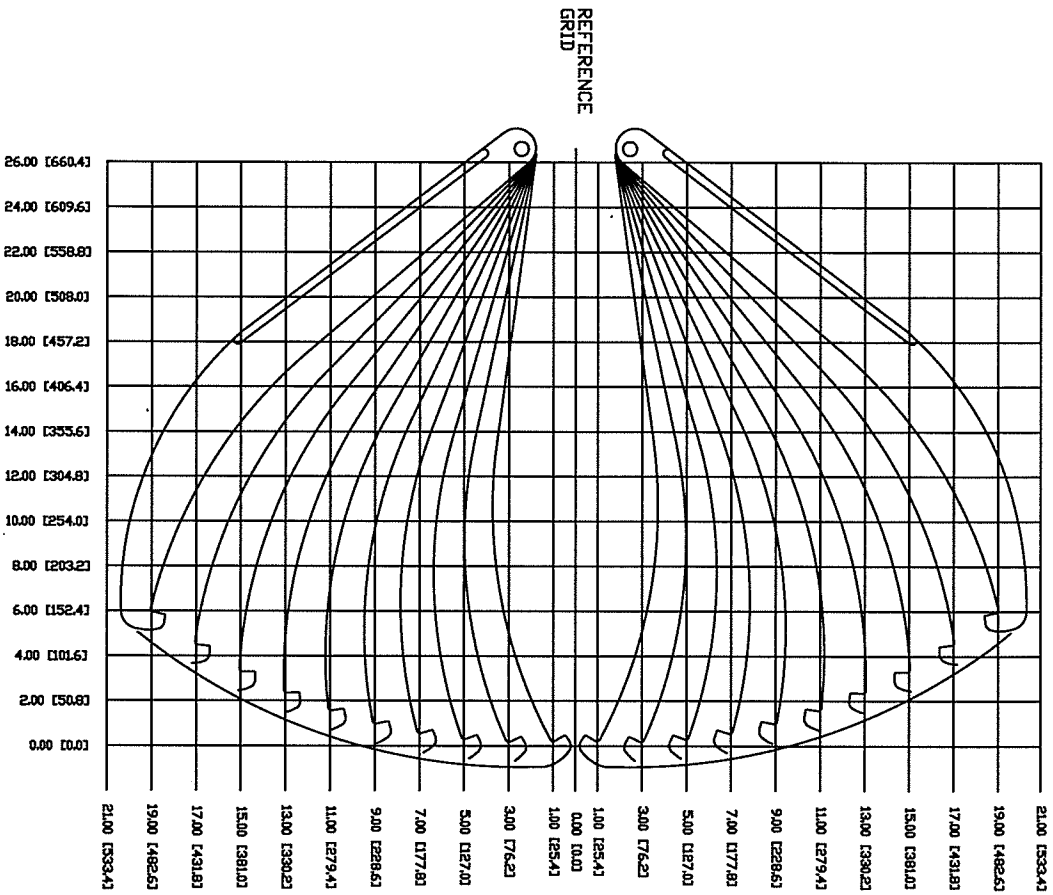


### POST LOCK MODELS PH116/PH216 GEAR AND BEARING PULLER

MODEL PH116	MODEL PH216
50 TON [45.6 METRIC TONS]	50 TON [45.6 METRIC TONS]
3 JAW	2 JAW
RAM STROKE 1325 [336.6]	RAM STROKE 1325 [336.6]
REACH 14.0 [355.6]	REACH 14.0 [355.6]
SPREAD 3.0 [76.2] TD 25.0 [635.0]	SPREAD 3.0 [76.2] TD 25.0 [635.0]
WT. 202 Lbs. [91 kg]	WT. 192 Lbs. [87 kg]
RATED FOR 10000 PSI	RATED FOR 10000 PSI

ITEM NO.	QTY	DESCRIPTION	UNIT
1	1	POST LOCK PULLER PH116/PH216	EA
2	1	GEAR AND BEARING PULLER	EA
3	1	RAM	EA
4	1	BEARING	EA
5	1	GEAR	EA
6	1	BEARING	EA
7	1	GEAR	EA
8	1	BEARING	EA
9	1	GEAR	EA
10	1	BEARING	EA
11	1	GEAR	EA
12	1	BEARING	EA
13	1	GEAR	EA
14	1	BEARING	EA
15	1	GEAR	EA
16	1	BEARING	EA
17	1	GEAR	EA
18	1	BEARING	EA
19	1	GEAR	EA
20	1	BEARING	EA
21	1	GEAR	EA
22	1	BEARING	EA
23	1	GEAR	EA
24	1	BEARING	EA
25	1	GEAR	EA
26	1	BEARING	EA
27	1	GEAR	EA
28	1	BEARING	EA
29	1	GEAR	EA
30	1	BEARING	EA
31	1	GEAR	EA
32	1	BEARING	EA
33	1	GEAR	EA
34	1	BEARING	EA
35	1	GEAR	EA
36	1	BEARING	EA
37	1	GEAR	EA
38	1	BEARING	EA
39	1	GEAR	EA
40	1	BEARING	EA
41	1	GEAR	EA
42	1	BEARING	EA
43	1	GEAR	EA
44	1	BEARING	EA
45	1	GEAR	EA
46	1	BEARING	EA
47	1	GEAR	EA
48	1	BEARING	EA
49	1	GEAR	EA
50	1	BEARING	EA

POST LOCK PULLER PH116/PH216  
INC. 101935  
REV. 1 1/82



ITEM NO.	QTY	DESCRIPTION	UNIT
1	1	POST LOCK PULLER, INC.	PC
2	1	POST LOCK PULLER, INC.	PC
3	1	POST LOCK PULLER, INC.	PC
4	1	POST LOCK PULLER, INC.	PC
5	1	POST LOCK PULLER, INC.	PC
6	1	POST LOCK PULLER, INC.	PC
7	1	POST LOCK PULLER, INC.	PC
8	1	POST LOCK PULLER, INC.	PC
9	1	POST LOCK PULLER, INC.	PC
10	1	POST LOCK PULLER, INC.	PC
11	1	POST LOCK PULLER, INC.	PC
12	1	POST LOCK PULLER, INC.	PC
13	1	POST LOCK PULLER, INC.	PC
14	1	POST LOCK PULLER, INC.	PC
15	1	POST LOCK PULLER, INC.	PC
16	1	POST LOCK PULLER, INC.	PC
17	1	POST LOCK PULLER, INC.	PC
18	1	POST LOCK PULLER, INC.	PC
19	1	POST LOCK PULLER, INC.	PC
20	1	POST LOCK PULLER, INC.	PC
21	1	POST LOCK PULLER, INC.	PC
22	1	POST LOCK PULLER, INC.	PC
23	1	POST LOCK PULLER, INC.	PC
24	1	POST LOCK PULLER, INC.	PC
25	1	POST LOCK PULLER, INC.	PC
26	1	POST LOCK PULLER, INC.	PC
27	1	POST LOCK PULLER, INC.	PC
28	1	POST LOCK PULLER, INC.	PC
29	1	POST LOCK PULLER, INC.	PC
30	1	POST LOCK PULLER, INC.	PC
31	1	POST LOCK PULLER, INC.	PC
32	1	POST LOCK PULLER, INC.	PC
33	1	POST LOCK PULLER, INC.	PC
34	1	POST LOCK PULLER, INC.	PC
35	1	POST LOCK PULLER, INC.	PC
36	1	POST LOCK PULLER, INC.	PC
37	1	POST LOCK PULLER, INC.	PC
38	1	POST LOCK PULLER, INC.	PC
39	1	POST LOCK PULLER, INC.	PC
40	1	POST LOCK PULLER, INC.	PC
41	1	POST LOCK PULLER, INC.	PC
42	1	POST LOCK PULLER, INC.	PC
43	1	POST LOCK PULLER, INC.	PC
44	1	POST LOCK PULLER, INC.	PC
45	1	POST LOCK PULLER, INC.	PC
46	1	POST LOCK PULLER, INC.	PC
47	1	POST LOCK PULLER, INC.	PC
48	1	POST LOCK PULLER, INC.	PC
49	1	POST LOCK PULLER, INC.	PC
50	1	POST LOCK PULLER, INC.	PC
51	1	POST LOCK PULLER, INC.	PC
52	1	POST LOCK PULLER, INC.	PC
53	1	POST LOCK PULLER, INC.	PC
54	1	POST LOCK PULLER, INC.	PC
55	1	POST LOCK PULLER, INC.	PC
56	1	POST LOCK PULLER, INC.	PC
57	1	POST LOCK PULLER, INC.	PC
58	1	POST LOCK PULLER, INC.	PC
59	1	POST LOCK PULLER, INC.	PC
60	1	POST LOCK PULLER, INC.	PC
61	1	POST LOCK PULLER, INC.	PC
62	1	POST LOCK PULLER, INC.	PC
63	1	POST LOCK PULLER, INC.	PC
64	1	POST LOCK PULLER, INC.	PC
65	1	POST LOCK PULLER, INC.	PC
66	1	POST LOCK PULLER, INC.	PC
67	1	POST LOCK PULLER, INC.	PC
68	1	POST LOCK PULLER, INC.	PC
69	1	POST LOCK PULLER, INC.	PC
70	1	POST LOCK PULLER, INC.	PC
71	1	POST LOCK PULLER, INC.	PC
72	1	POST LOCK PULLER, INC.	PC
73	1	POST LOCK PULLER, INC.	PC
74	1	POST LOCK PULLER, INC.	PC
75	1	POST LOCK PULLER, INC.	PC
76	1	POST LOCK PULLER, INC.	PC
77	1	POST LOCK PULLER, INC.	PC
78	1	POST LOCK PULLER, INC.	PC
79	1	POST LOCK PULLER, INC.	PC
80	1	POST LOCK PULLER, INC.	PC
81	1	POST LOCK PULLER, INC.	PC
82	1	POST LOCK PULLER, INC.	PC
83	1	POST LOCK PULLER, INC.	PC
84	1	POST LOCK PULLER, INC.	PC
85	1	POST LOCK PULLER, INC.	PC
86	1	POST LOCK PULLER, INC.	PC
87	1	POST LOCK PULLER, INC.	PC
88	1	POST LOCK PULLER, INC.	PC
89	1	POST LOCK PULLER, INC.	PC
90	1	POST LOCK PULLER, INC.	PC
91	1	POST LOCK PULLER, INC.	PC
92	1	POST LOCK PULLER, INC.	PC
93	1	POST LOCK PULLER, INC.	PC
94	1	POST LOCK PULLER, INC.	PC
95	1	POST LOCK PULLER, INC.	PC
96	1	POST LOCK PULLER, INC.	PC
97	1	POST LOCK PULLER, INC.	PC
98	1	POST LOCK PULLER, INC.	PC
99	1	POST LOCK PULLER, INC.	PC
100	1	POST LOCK PULLER, INC.	PC