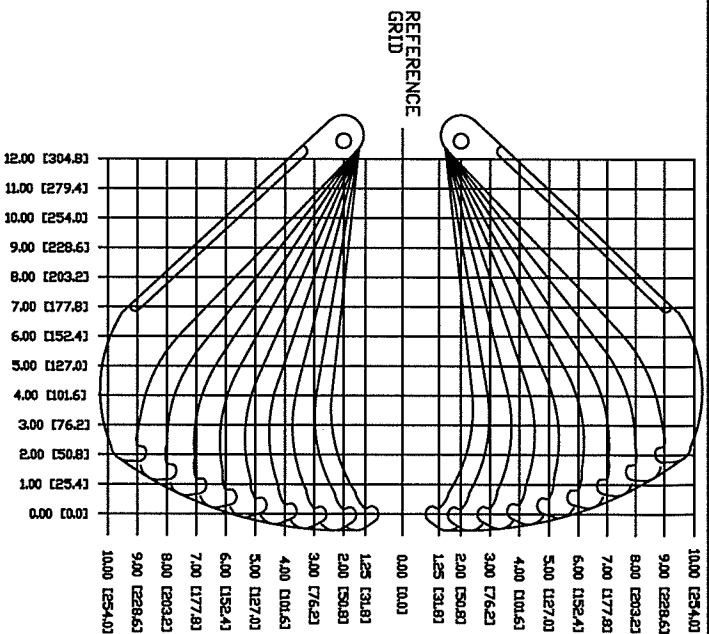


JAW SPREAD	DIM A	DIM B	DIM C	DIM D	DIM E	DIM F	DIM G	DIM H	DIM J	DIM K	DIM L
2.50 [63.5]	4.53 [115.1]	4.82 [122.4]	4.73 [120.1]	4.51 [114.6]	4.29 [109.0]	4.06 [103.1]	3.84 [97.5]	3.62 [91.9]	3.40 [86.4]	3.18 [80.8]	6.17 [156.7]
4.00 [101.6]	5.76 [146.3]	5.94 [150.9]	5.74 [145.8]	5.40 [137.2]	5.05 [128.3]	4.77 [119.6]	4.56 [110.7]	4.02 [102.1]	3.67 [93.2]	3.33 [84.6]	6.18 [157.0]
6.00 [152.4]	7.38 [187.5]	7.45 [189.2]	7.12 [180.8]	6.61 [167.9]	6.09 [154.7]	5.58 [141.7]	5.07 [128.8]	4.55 [115.6]	4.04 [102.6]	3.53 [89.7]	6.15 [156.2]
8.00 [203.2]	9.02 [229.1]	8.98 [228.1]	8.56 [217.4]	7.87 [199.9]	7.18 [182.4]	6.49 [164.8]	5.80 [147.3]	5.11 [129.8]	4.42 [112.3]	3.73 [94.7]	6.09 [154.7]
10.00 [254.0]	10.68 [271.3]	10.57 [268.5]	10.07 [255.8]	9.21 [233.9]	8.33 [211.6]	7.46 [189.5]	6.59 [167.1]	5.70 [144.8]	4.82 [122.4]	3.94 [100.1]	5.98 [151.9]
12.00 [304.8]	12.38 [312.3]	12.23 [310.6]	11.67 [296.4]	10.68 [271.2]	9.59 [243.6]	8.51 [216.2]	7.42 [188.5]	6.34 [161.0]	5.25 [133.4]	4.16 [105.7]	5.83 [148.1]
14.00 [355.6]	14.14 [359.1]	13.97 [354.8]	13.40 [340.4]	12.33 [313.2]	11.01 [279.7]	9.69 [246.1]	8.37 [212.6]	7.04 [178.8]	5.72 [145.3]	4.40 [111.8]	5.64 [143.3]
16.00 [406.4]	15.97 [405.6]	15.82 [401.8]	15.25 [387.4]	14.20 [360.7]	12.65 [321.3]	11.05 [280.7]	9.46 [240.3]	7.86 [199.6]	6.27 [159.3]	4.67 [118.6]	5.39 [138.9]
18.00 [457.2]	18.00 [457.2]	17.77 [451.4]	17.26 [438.4]	16.27 [413.3]	14.63 [371.6]	12.70 [322.6]	10.77 [273.6]	8.85 [224.8]	6.92 [175.8]	4.99 [126.7]	5.08 [129.0]

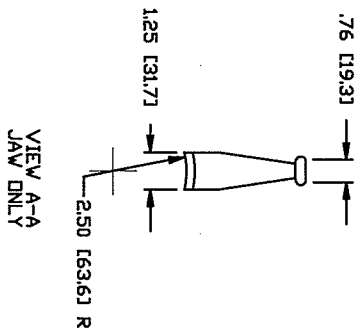
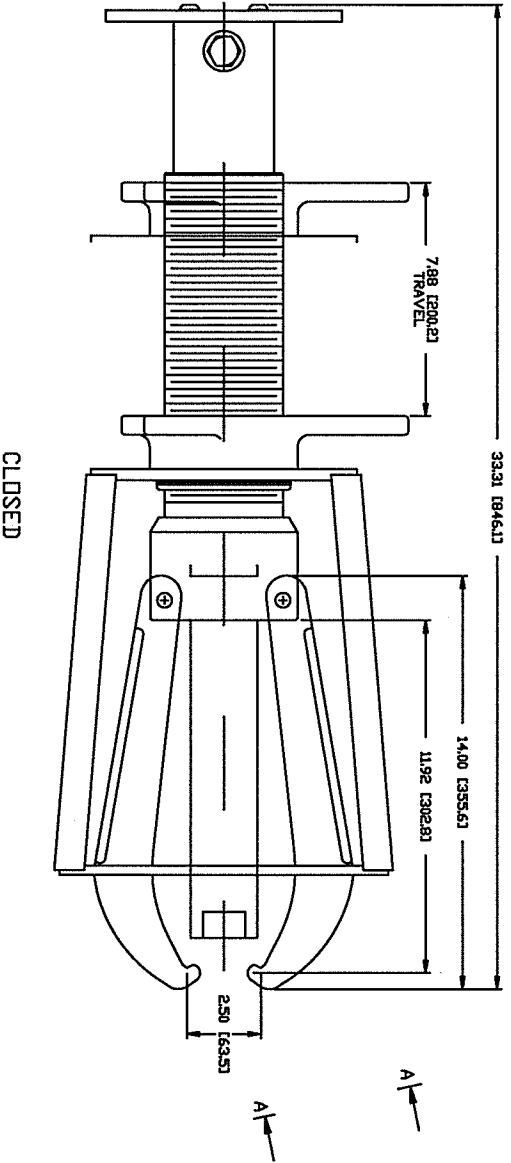
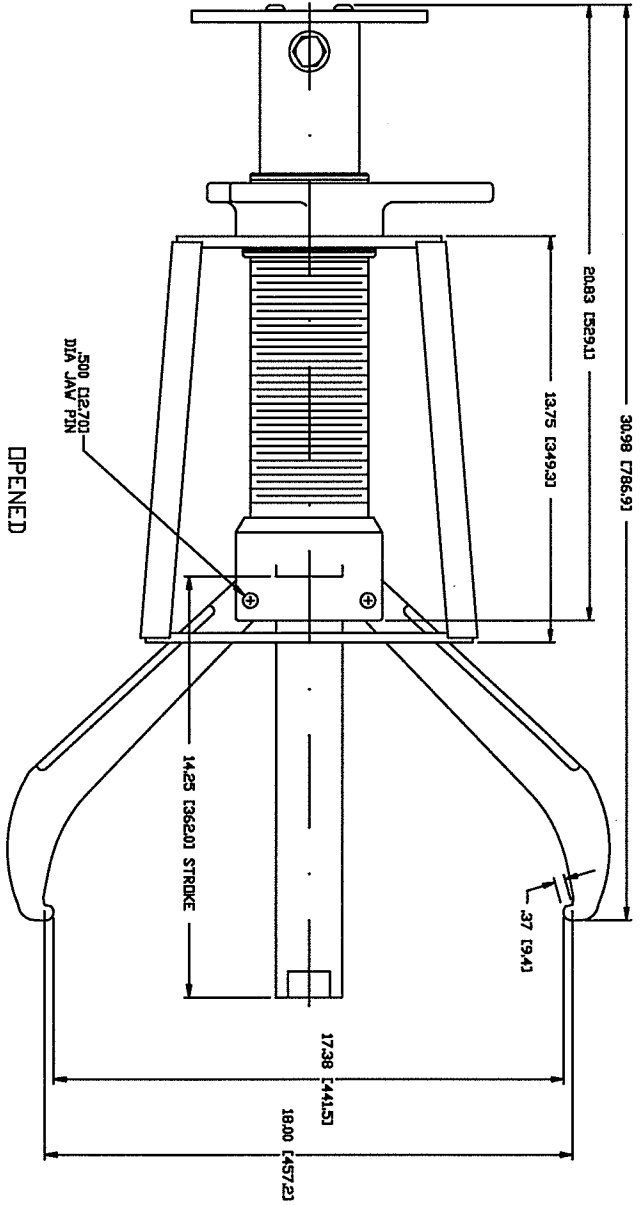
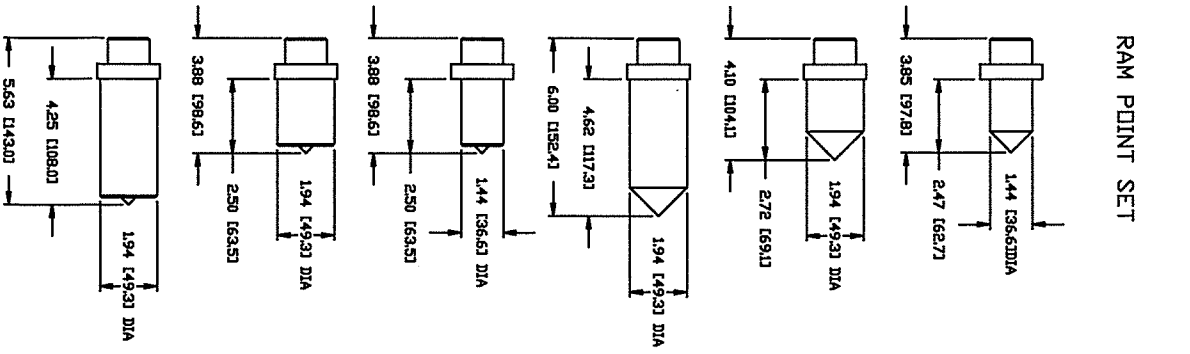


**POSI LOCK MODELS PH113/PH213
GEAR AND BEARING PULLER**

MODEL PH113	MODEL PH213
25 TON [228 METRIC TONS]	25 TON [228 METRIC TONS]
3 JAW	2 JAW
RAW STROKE 14.25 [362.0]	RAW STROKE 14.25 [362.0]
REACH 12.0 [304.8]	REACH 12.0 [304.8]
SPREAD 2.5 [63.5] TO 18.0 [457.2]	SPREAD 2.5 [63.5] TO 18.0 [457.2]
WT. 106 Lbs [48 kg]	WT. 98 Lbs [44 kg]
RATED FOR 10000 PSI	RATED FOR 10000 PSI

ITEM NO.	REV.	PART NO.	REVISION	DATE
1		PH113/PH213	REVISED	11/18/91
POSI LOCK PULLER, INC. 10000 PSI RATED 25 TON [228 METRIC TONS] 3 JAW RAW STROKE 14.25 [362.0] REACH 12.0 [304.8] SPREAD 2.5 [63.5] TO 18.0 [457.2] WT. 106 LBS [48 KG] RATED FOR 10000 PSI				
MODEL	PH113/PH213	REVISED	11/18/91	10/19/93
SHEET 1 OF 2				

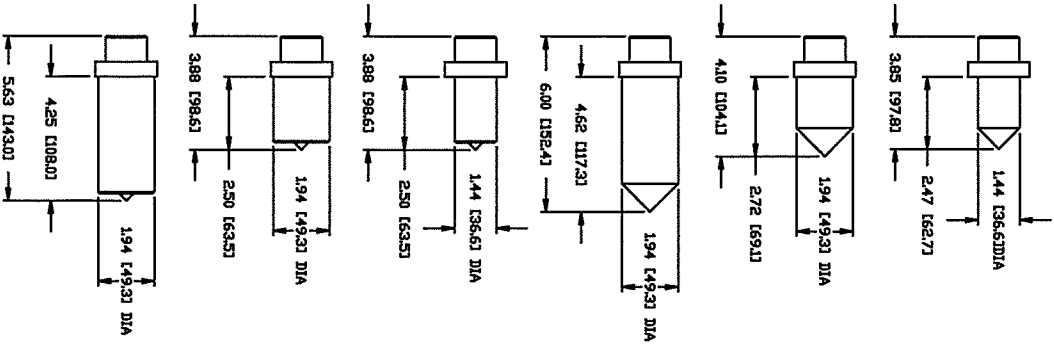
RAM POINT SET



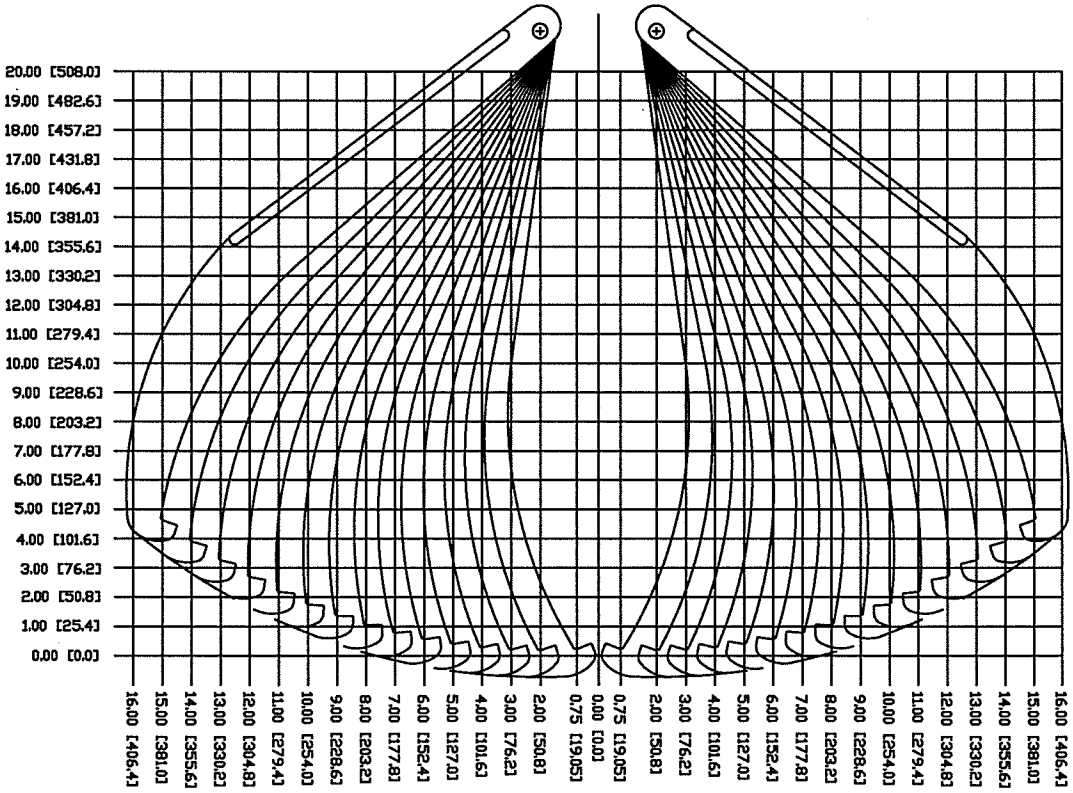
REV	DATE	BY	CHKD	DESCRIPTION
1				ISSUED FOR MANUFACTURE
2				REVISION
3				REVISION
4				REVISION
5				REVISION
6				REVISION
7				REVISION
8				REVISION
9				REVISION
10				REVISION
11				REVISION
12				REVISION
13				REVISION
14				REVISION
15				REVISION
16				REVISION
17				REVISION
18				REVISION
19				REVISION
20				REVISION

TITLE: RAM POINT SET
 PART NO: PH113/PHE13
 DRAWING NO: PH113/PHE13
 DATE: 01/93
 SHEET: 2 OF 2
 D

RAM POINT SET



REFERENCE GRID



ITEM NO.	REV.	DATE	DESCRIPTION	BY
1			INITIALS	
2			REVISIONS	
3			APPROVALS	
4			DATE	
5			BY	
6			DATE	
7			BY	
8			DATE	
9			BY	
10			DATE	
11			BY	
12			DATE	
13			BY	
14			DATE	
15			BY	
16			DATE	
17			BY	
18			DATE	
19			BY	
20			DATE	
21			BY	
22			DATE	
23			BY	
24			DATE	
25			BY	
26			DATE	
27			BY	
28			DATE	
29			BY	
30			DATE	
31			BY	
32			DATE	
33			BY	
34			DATE	
35			BY	
36			DATE	
37			BY	
38			DATE	
39			BY	
40			DATE	
41			BY	
42			DATE	
43			BY	
44			DATE	
45			BY	
46			DATE	
47			BY	
48			DATE	
49			BY	
50			DATE	
51			BY	
52			DATE	
53			BY	
54			DATE	
55			BY	
56			DATE	
57			BY	
58			DATE	
59			BY	
60			DATE	
61			BY	
62			DATE	
63			BY	
64			DATE	
65			BY	
66			DATE	
67			BY	
68			DATE	
69			BY	
70			DATE	
71			BY	
72			DATE	
73			BY	
74			DATE	
75			BY	
76			DATE	
77			BY	
78			DATE	
79			BY	
80			DATE	
81			BY	
82			DATE	
83			BY	
84			DATE	
85			BY	
86			DATE	
87			BY	
88			DATE	
89			BY	
90			DATE	
91			BY	
92			DATE	
93			BY	
94			DATE	
95			BY	
96			DATE	
97			BY	
98			DATE	
99			BY	
100			DATE	

PSI LOCK FILLS, INC.
 101934
 SHEET 2 OF 3