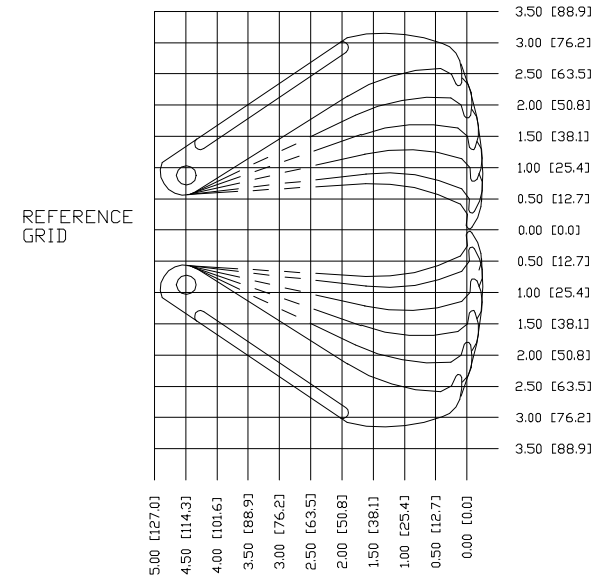
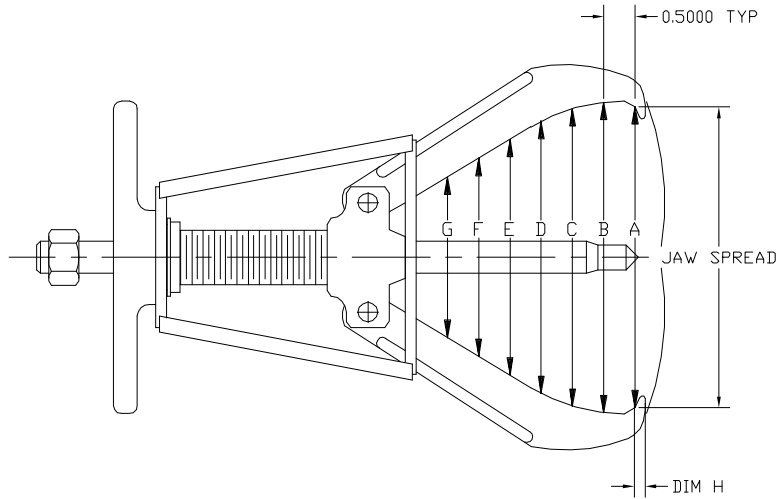


104 / 204 Manual Puller

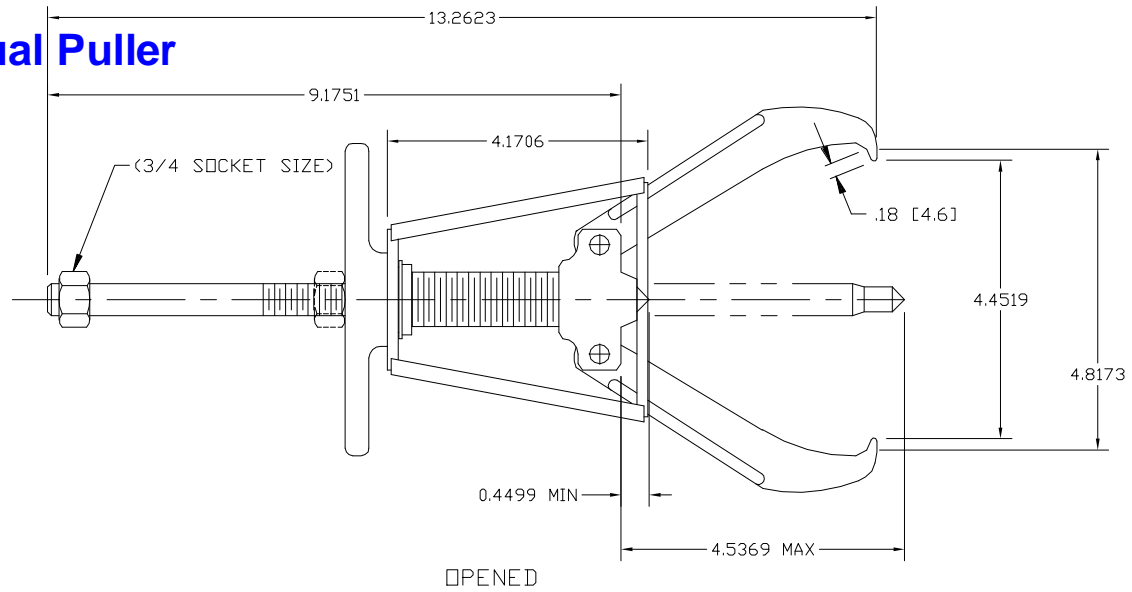


JAW SPREAD	DIM A	DIM B	DIM C	DIM D	DIM E	DIM F	DIM G	DIM H
0.50 [12.7]	0.97 [24.6]	1.32 [33.5]	1.47 [37.3]	1.46 [37.1]	1.40 [35.6]	1.34 [34.0]	1.29 [32.8]	0.077 [1.96]
1.00 [25.4]	1.46 [37.1]	1.74 [44.2]	1.83 [46.5]	1.77 [45.0]	1.65 [41.9]	1.54 [39.1]	1.42 [36.1]	0.088 [2.24]
2.00 [50.8]	2.38 [60.5]	2.56 [65.0]	2.55 [64.8]	2.38 [60.5]	2.15 [54.6]	1.92 [48.8]	1.69 [42.9]	0.109 [2.77]
3.00 [79.2]	3.30 [83.8]	3.38 [85.9]	3.29 [83.6]	3.01 [76.5]	2.66 [67.6]	2.32 [58.9]	1.97 [50.0]	0.129 [3.28]
4.00 [101.6]	4.22 [107.2]	4.23 [107.4]	4.06 [103.1]	3.70 [94.0]	2.66 [67.6]	2.32 [58.9]	1.97 [50.0]	0.129 [3.3]
5.00 [127.0]	5.00 [127.0]	5.13 [130.3]	4.90 [124.5]	4.47 [113.5]	3.85 [97.8]	3.22 [81.8]	2.59 [65.8]	0.165 [4.2]

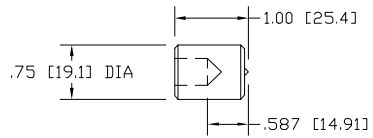
POSI LOCK MODELS 104\204 GEAR AND BEARING PULLER

MODEL 104	MODEL 204
5 TON [4.5 METRIC TONS]	2 TON [1.8 METRIC TONS]
3 JAW	2 JAW
REACH 4.0 [101.6]	REACH 4.0 [101.6]
SPREAD .50 [12.7] TO 5.0 [127.0]	SPREAD .50 [12.7] TO 5.0 [127.0]
WT. 4 Lbs.[1.8 kg]	WT. 3 Lbs.[1.4 kg]
MAXIMUM TORQUE 40 FOOT POUNDS [54 N·m]	MAXIMUM TORQUE 20 FOOT POUNDS [27 N·m]

104 / 204 Manual Puller



SHAFT PROTECTOR



OPTIONAL SHAFT EXTENSION
INCREASES CENTER BOLT
LENGTH BY 1.5"

