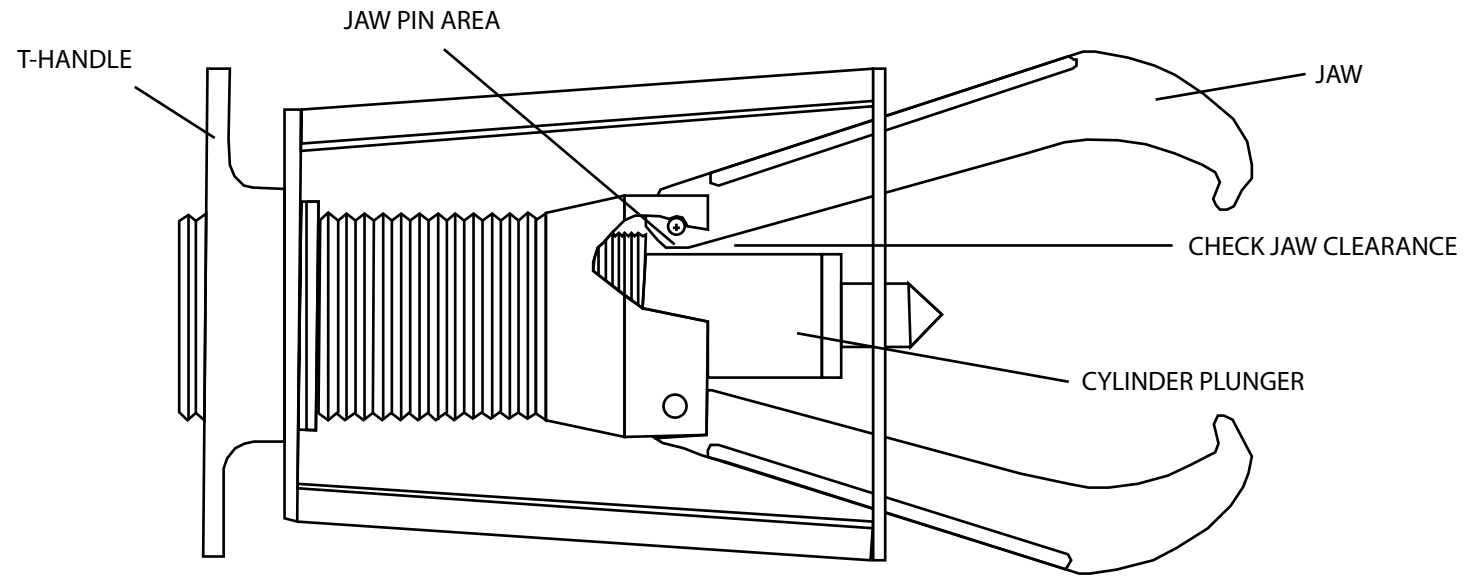


WHEN CHANGING HYDRAULIC PULLER JAWS, ALWAYS CHECK JAWS FOR PROPER CLEARANCE



DUE TO VARIANCES IN JAW FORGINGS, IT IS ADVISABLE TO CHECK JAW CLEARANCE BETWEEN CYLINDER PLUNGER AND JAW NEAR THE JAW PIN AREA WHEN CHANGING JAWS.

INSTRUCTIONS:

1. Remove jaw pin and jaws
2. Extend cylinder plunger
3. Insert new jaws and reusable jaw pin
4. Turn T-handle through full range of jaw opening and closing
5. Check for proper jaw clearance between the cylinder plunger and the jaw pin area

NOTE: Jaws should not come in contact with cylinder or plunger at any time.

If adequate clearance is not available, please call 1-800-533-5761 or 1-701-797-2600 and ask for technical support.



Posi Lock Puller, Inc.

805 Sunflower Avenue | PO Box 246 | Cooperstown, North Dakota | USA | 58425

Phone: 1-701-797-2600 | Toll-Free: 1-800-533-5761 | Fax: 1-701-797-2706 | info@posilock.com